



CLOCK - IN-GROUND BOX

- SPECIFICATIONS
- Plate in AISI 304 stainless steel with 3 ground anchors
- To be installed with stem codes 4693-4694
- DIMENSIONS
- Ø 70 mm
- H 170 mm



Artikelnummer: 77.4698

Pris: 344,00kr

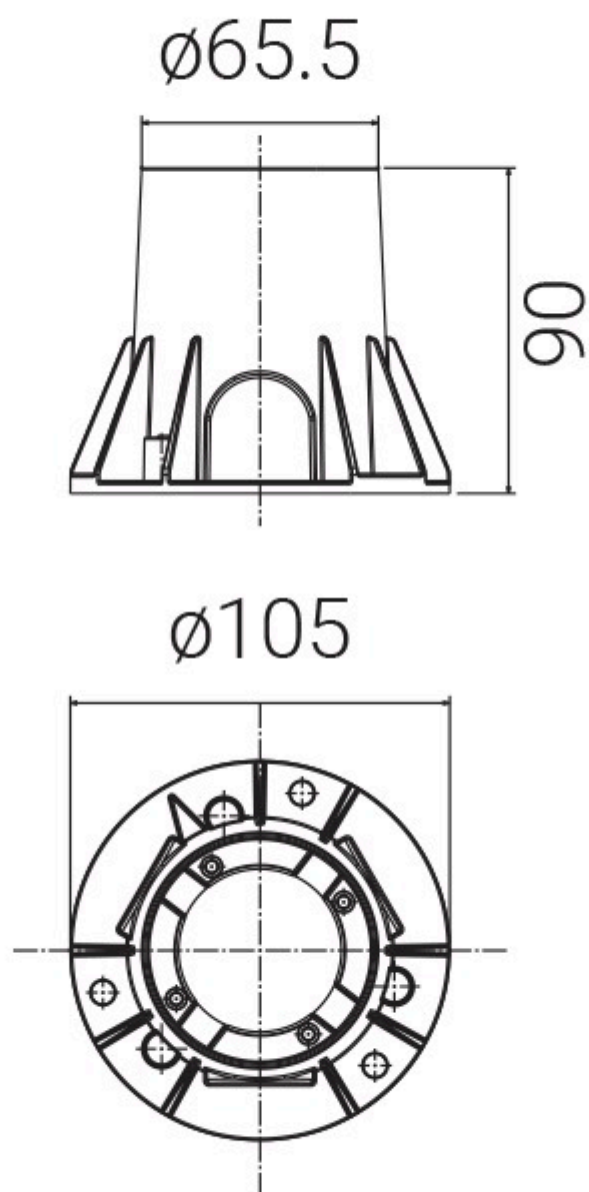
MER INFORMATION

Styrka

10W, 15W

- SPECIFICATIONS
- Plate in AISI 304 stainless steel with 3 ground anchors
- To be installed with stem codes 4693-4694
- DIMENSIONS
- Ø 70 mm
- H 170 mm

PRODUKTBESKRIVNING



- CODE NO.



- CERTIFICATION

- 4697

- CE

MER INFORMATION

Styrka

10W, 15W