



CLOCK Ø 120 MM 220-250V

- SPECIFICATIONS
- Watertight spotlight, to be installed on the wall, on a stem or on an earth spike in the garden
- Structure: body and arm made of primary aluminium alloy with low copper content
- Adjustable light body with stable fastening in the chosen point
- Ultrawhite transparent tempered glass, sealed to the frame
- Wiring: the spotlight is hermetically sealed with a two-component resin and provided with a 1,5 m H05RN-F buriable cable. The cable can pass through a special hole in the base of the arm
- Mains voltage LED module, compatible with most phase-cut dimmers / CRI≥80
- Beam angles: 12° (option) / 40° (standard) / 90° (option) / 10° honeycomb (option - add HC to the code)
- Double varnished finish after pickling, chromic passivation (trivalent chromium), epoxy primer and polyester powder coating
- RGBW version: see RGBW series - code 1187
- **ON REQUEST:**
- 2700K LED color temperature (code + 27K)
- 12-24V low voltage version (code + LV)
- 7 m cable length (code + MT7)
- Finishing colours: BI - white / CO - corten
- DIMENSIONS
- Ø 120 mm
- 36 mm
- 136 mm



Artikelnummer: N/A

Pris: 1.900,00kr – 2.072,00kr

MER INFORMATION

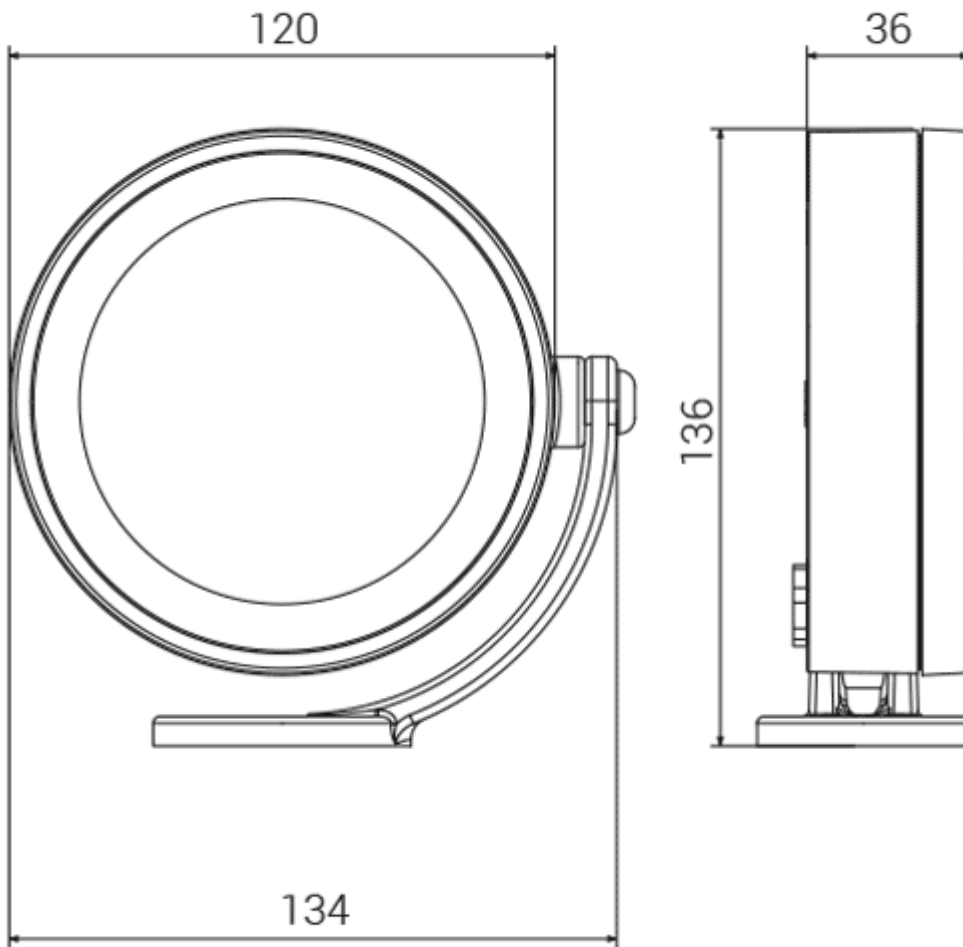
Styrka

10W, 15W



- SPECIFICATIONS
- Watertight spotlight, to be installed on the wall, on a stem or on an earth spike in the garden
- Structure: body and arm made of primary aluminium alloy with low copper content
- Adjustable light body with stable fastening in the chosen point
- Ultrawhite transparent tempered glass, sealed to the frame
- Wiring: the spotlight is hermetically sealed with a two-component resin and provided with a 1,5 m H05RN-F buriable cable. The cable can pass through a special hole in the base of the arm
- Mains voltage LED module, compatible with most phase-cut dimmers / CRI≥80
- Beam angles: 12° (option) / 40° (standard) / 90° (option) / 10° honeycomb (option - add HC to the code)
- Double varnished finish after pickling, chromic passivation (trivalent chromium), epoxy primer and polyester powder coating
- RGBW version: see RGBW series - code 1187
- **ON REQUEST:**
- 2700K LED color temperature (code + 27K)
- 12-24V low voltage version (code + LV)
- 7 m cable length (code + MT7)
- Finishing colours: BI - white / CO - corten
- DIMENSIONS
- Ø 120 mm
- 36 mm
- 136 mm



PRODUKTBSKRIVNING



- CODE NO.
- COLOURS
- COLOR TEMPERATURE
- LAMP
- NOMINAL LUMEN
- REAL LUMEN OUTPUT
- WATTAGE
- VOLTAGE
- IP



- IK
- CLASS
- CERTIFICATION
- CONFORMITY

- 4664
- 
- **3K** – 3000K / **4K** – 4000K
- LED
- 1100
- 750
- 10W
- 220-240V 50/60Hz
- **IP 67**
- IK08 (6 joules)
- **Classe I**
- 
- **EN 60598-1 +2-1**

VARIATIONS

MER INFORMATION

Styrka

10W, 15W